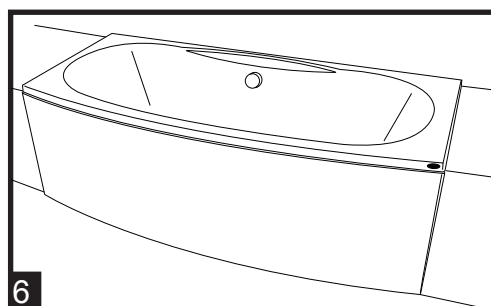
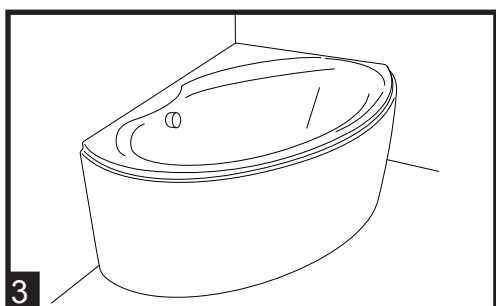
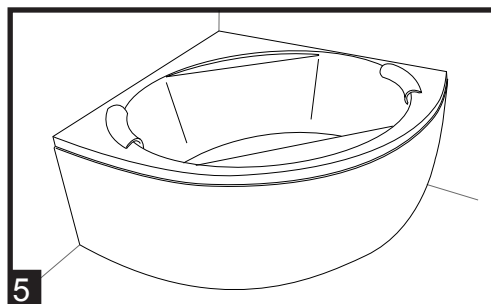
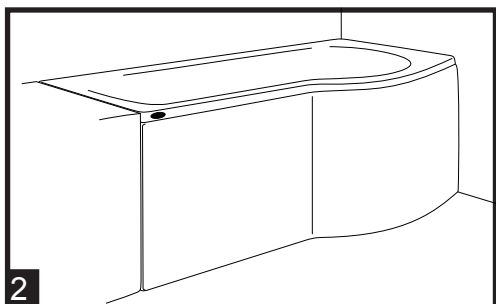
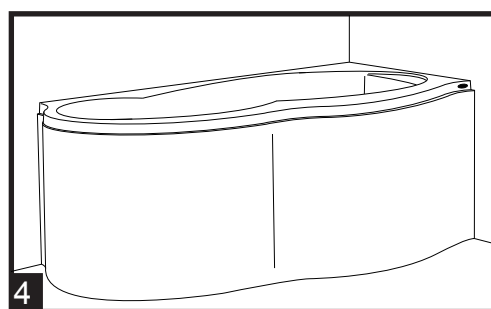
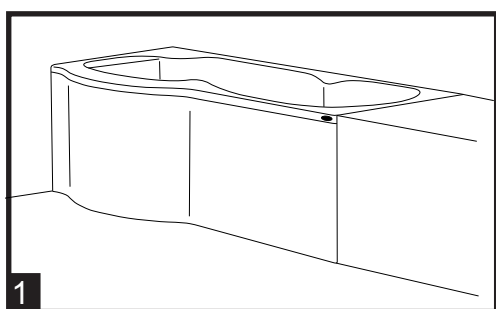


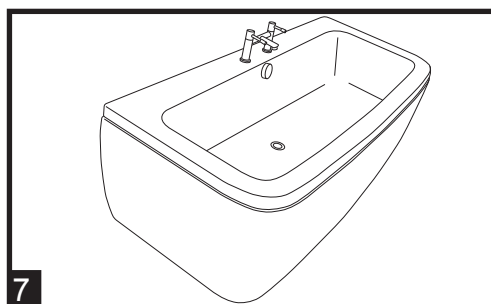


# LUXURY / FEATURE BATH AND PANEL INSTALLATION INSTRUCTIONS:



Fitting instructions for:

1. Alessano
2. Alvito shower bath
3. Arba
4. Calabria
5. Mantova
6. Pavia
7. Turchino



CODE No: JINS0030  
DEV No: 3783

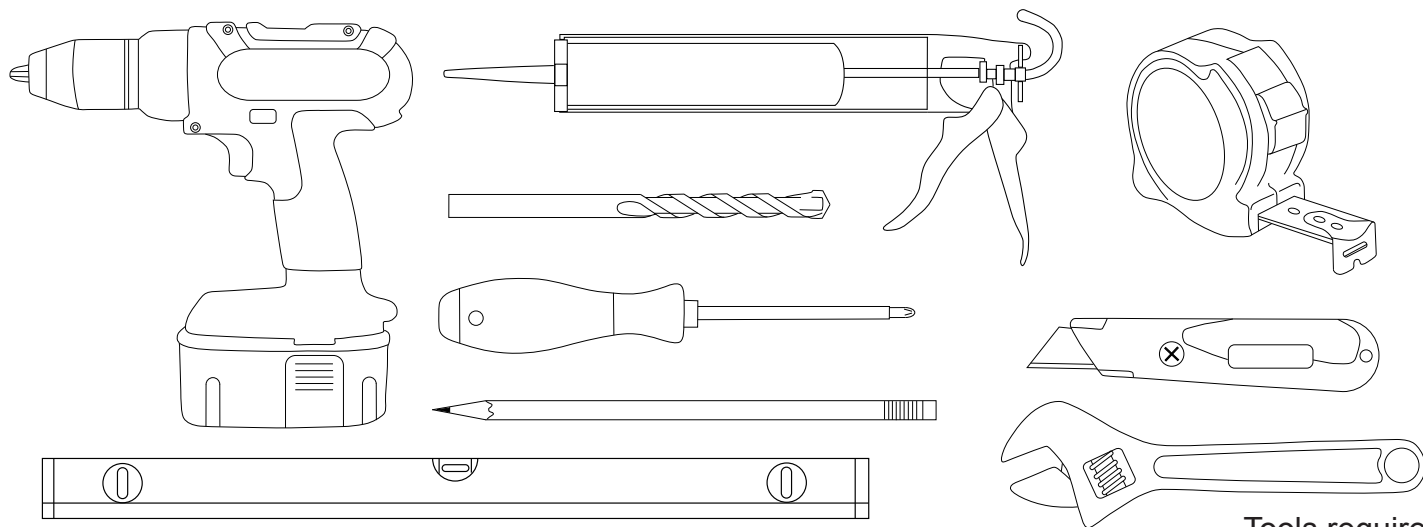
Your new bath is supplied complete with its timber support bonded to the bath. Do not attempt to remove it. All screws and fittings for general installation are provided but specialist fixings for wall and floors may be required. Please ensure that the bath is fully checked prior to installation.

Most bath models have a thin polythene film that protects the top and inside of the bath. Remove carefully for inspection purposes and re-use for protection whilst fitting.

**TO THE INSTALLER:**

Please read and follow this instruction carefully, as the guarantee is valid only if the bath is installed as directed.

**IMPORTANT:  
PLEASE LEAVE THIS INSTRUCTION MANUAL WITH THE END USER ONCE THE BATH HAS  
BEEN INSTALLED.**



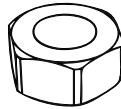
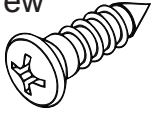
Tools required.

**BATH AND OPTIONAL PANEL COMBINATIONS**

BATH DESCRIPTION		CODE			
	BATH AND PANEL LEFT HAND	BATH AND PANEL RIGHT HAND	FRONT PANEL replacement code	END PANEL (OPTIONAL) replacement code	HEADREST replacement code
ALESSANO SHOWER BATH	JBSALE301	JBSALE302	JBSALE801	Jacuzzi End Panel B - JBSJAC805	N/A
ALVITO SHOWER BATH	JBSALV301	JBSALV302	JBSALV801	Jacuzzi End Panel B - JBSJAC805	N/A
ARBA CORNER BATH	JBSARB401	JBSARB402	JBSARB801	N/A	N/A
CALABRIA SHOWER BATH	JBSCAL301	JBSCAL302	JBSCAL801	N/A	N/A
MANTOVA CORNER BATH	JBSMAN401	JBSMAN401	JBSMAN801	N/A	MANC0848
PAVIA FEATURE BATH	JBSPAV601	JBSPAV601	JBSPAV801	Jacuzzi End Panel B - JBSJAC805	N/A
TURCHINO FEATURE BATH	JBSTUR601	JBSTUR601	JBSTUR801	N/A	N/A

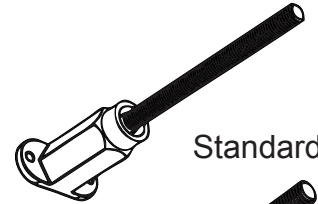
# BATH COMPONENT CHECKLIST

Pan head screw  
(No 8 x 5/8")  
X12

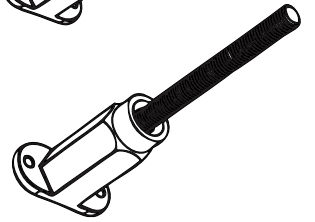


M8 Nut  
X15

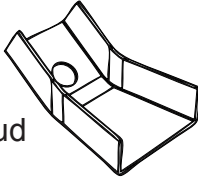
Centre leg  
X1



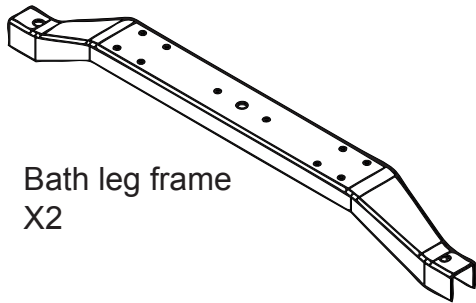
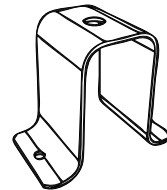
Standard leg  
X4



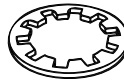
Bath leg  
end shroud  
X4



Centre support pack  
X1

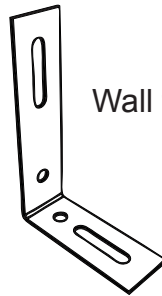


Bath leg frame  
X2



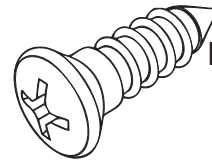
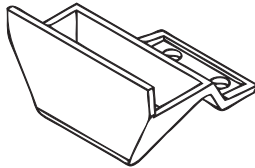
Gripping washer  
X5

JANCO114 - Bath fixing pack B



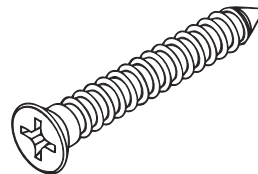
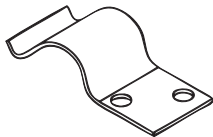
Wall fixing bracket  
X4

Moulded panel stop  
X6



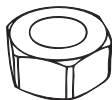
Pan head screw  
(No 8 x 5/8")  
X36

Bath panel clips  
X6

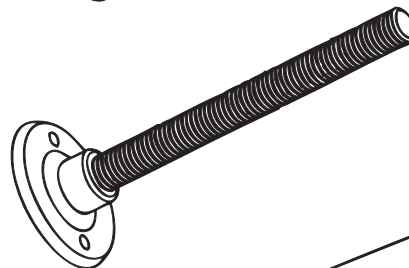


Woodscrew  
(No 8 x 1")  
X2

M8 Nut  
X4



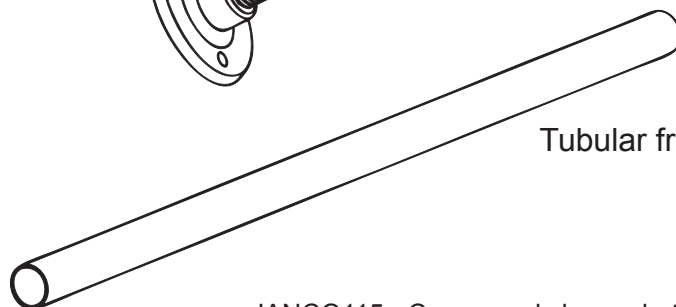
Front strut foot  
(M8 x 120mm)  
X2



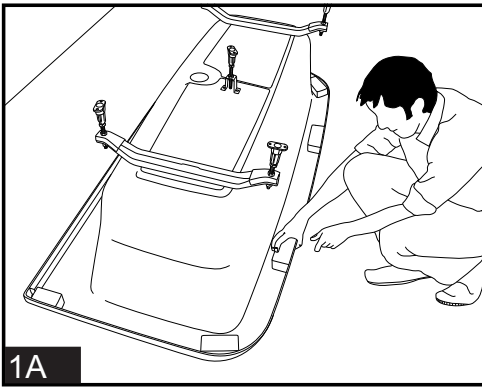
Tubular front  
strut inserts  
X4



Tubular front strut  
X2

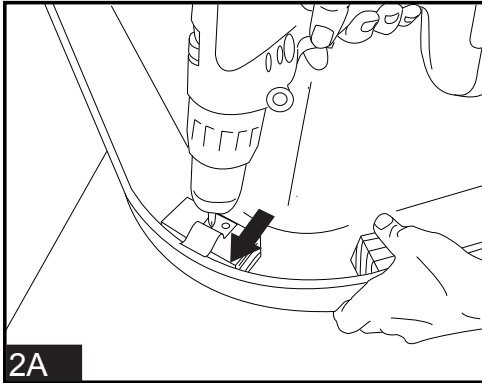


JANCO115 - Corner and shower bath fixing pack



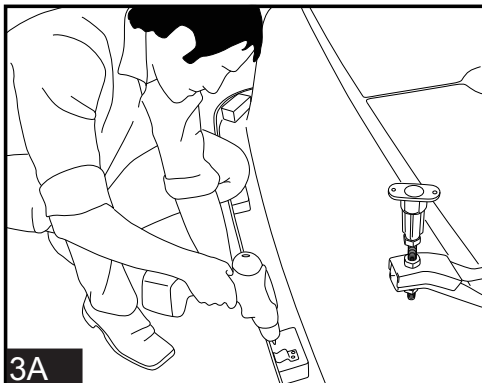
1B

Remove any packaging and place the bath lying face down onto a dustsheet to prevent any damage.



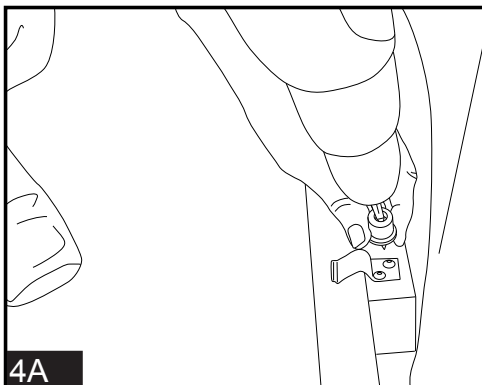
2B

If fitting the panel, fix the panel clips to the 6 timber blocks under the bath rim. Leave space on the front 2 blocks for the rim support leg insert (see 4A). All clips should sit flush with the rim timber edges, as indicated by the arrow. We recommend a pilot hole should be drilled before screwing directly into the timber.



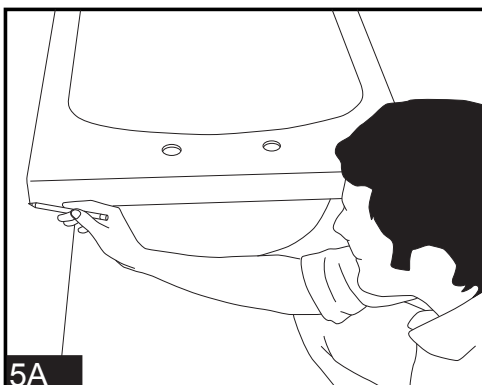
3B

Screw the black strut inserts into the 2 rim support blocks on the front of the bath using the two No.8 x 1 wood screws.



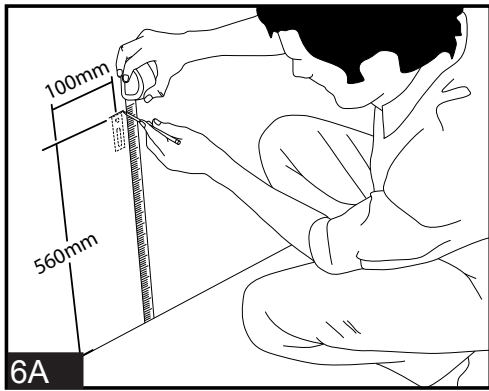
4B

This shows how the front rim support block houses a panel clip and the black strut insert. Having fitted these components the bath can be rotated onto its' feet.



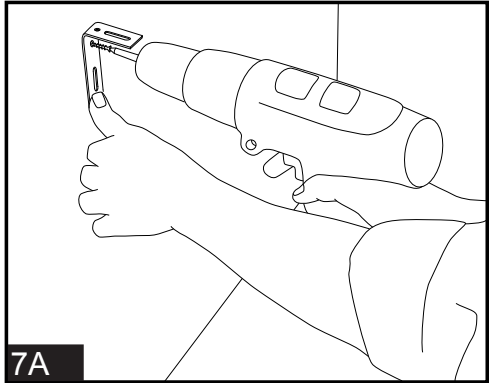
5B

Place the bath into the desired location and mark the outer edges of the bath (or corners) on the wall. Once drawn, move the bath away.



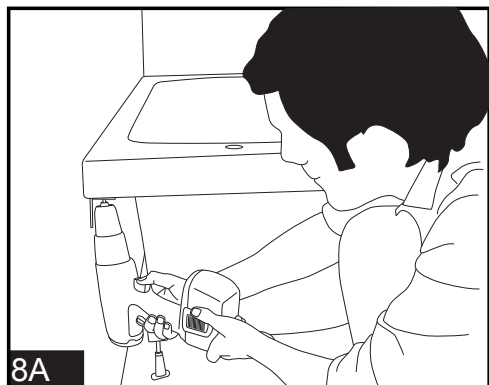
Using the lines from part 5A, measure 560mm up from the floor. Then measure inwards (towards the centre of the bath) by approx. 100mm and draw a small horizontal line. This marks the top edge for the wall mounting brackets. Repeat for all outer edges.

Place each wall mounting bracket under the horizontal lines drawn in 8A and mark the round hole for drilling.



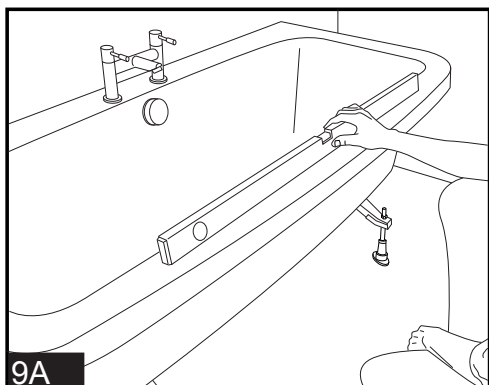
Drill and plug the marked holes with suitable fixings for the wall construction. Put the brackets back in location and secure in place.

If fitting in a corner location, repeat steps 6 and 7 to fix a bracket on each wall to support the inner corner.

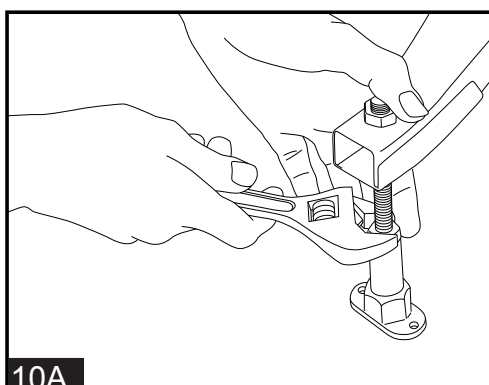


Note: At this stage we recommend the removal of the protective plastic film from the bath and the installation of the brassware and waste before moving onto stage 9A.

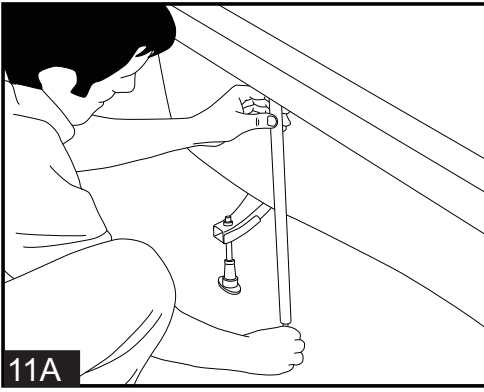
Re-position the bath and screw through each of the brackets into the rim timbers to prevent movement.



Using a spirit level adjust the five plastic feet and nuts until the bath is completely level.



With the bath now level, tighten all of the nuts on the five feet with an adjustable spanner.



11A

Thread the 2 black feet into the strut inserts of the tubular legs and attach them to the black strut inserts under the bath rim. Adjust the length until the legs are vertical and the feet touch the floor.

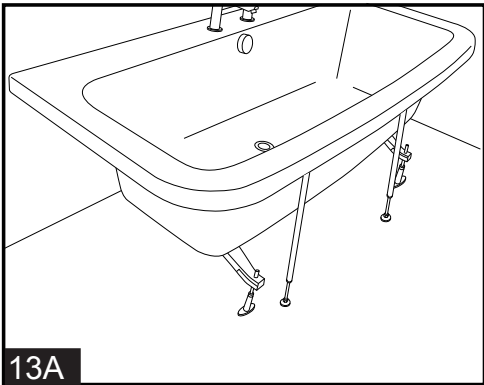
11B



12A

We recommend that you should attach all of the feet to the floor using the appropriate fixings to provide additional stability.

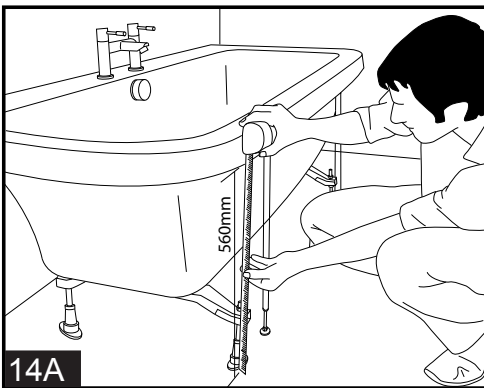
12B



13A

The bath should look similar to picture 13A. It should be secured to the wall, level and have the 2 rim support legs fitted.

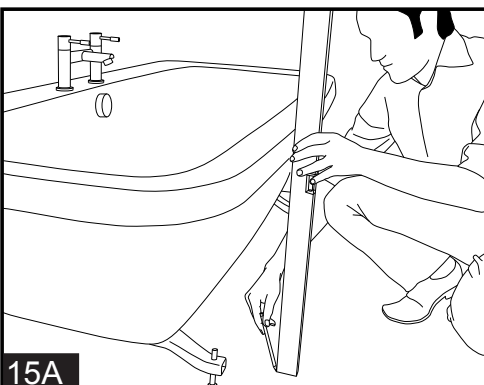
13B



14A

To ensure a good panel fit the distance between the lower bath rim and the floor should be 560mm. Measure this distance and adjust the feet to gain the desired height, checking that the bath remains level.

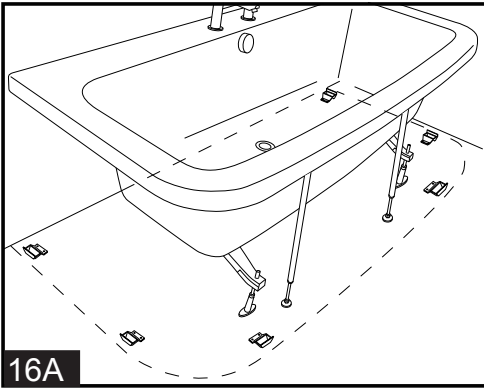
14B



15A

Stand the spirit level vertically (touching the bath rim) and draw a line on the floor directly under the bath rim. Do this on all faces to be fitted with a panel. In total, 6 marks should be evenly spaced around the perimeter of the bath (see 16A).

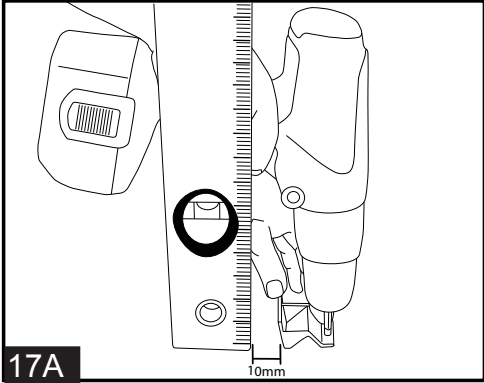
15B



16A

Place all 6 black floor panel clips 10mm inset from these lines. Each clip should be offset towards the underside of the bath.

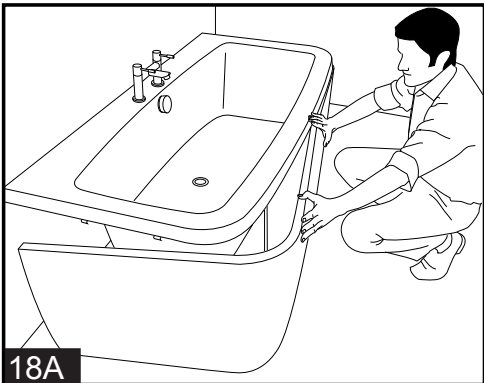
16B



17A

Secure each clip to the floor with the screws provided or more appropriate floor fixings if required.

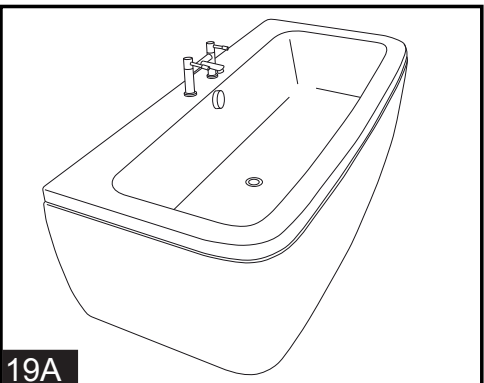
17B



18A

Starting at one end of the bath, engage the panel with all of the clips on both the rim timbers and the floor.

18B



19A

Fill the bath with water and seal the gap between the wall and the bath with your chosen water tight sealing method.

This completes the installation process.

19B

## Care and Maintenance

### FILLING:

It is always advisable to run the cold water before turning on the hot tap.

### CLEANING:

The bath should always be cleaned immediately after use, preferably whilst the water is running out and the bath is still warm. The film of insoluble soap products, body fats and grime which will otherwise harden on the bath surface are easily removed at this stage.

In hard water districts insoluble lime salts are deposited below the waterline and also under leaking taps. If this deposit is allowed to build up it becomes increasingly difficult to remove and looks unsightly. If noticed, this should be promptly cleaned with hot, soapy water before wiping the bath dry.

### CLEANING MATERIALS:

Cleaners of a gritty or abrasive nature should never be used. Worn washers on dripping taps should be replaced immediately.

### CHEMICALS:

Acrylic has good resistance properties to acids and alkalis but should not be allowed to come into contact with organic solvents such as some dry cleaning agents and paint strippers.

### REMOVAL OF SCRATCHES:

In the event of slight scratches in the bath surface, a mild abrasive (similar to metal polish) can be used to polish them out.

Please note that burning cigarettes should never be allowed to come into contact with the surface of the bath or damage may ensue.

***Do not use harsh abrasives particularly on areas displaying the Jacuzzi logo.***



Jacuzzi UK

For further information please contact:

Customer services  
Jacuzzi UK  
Woodlands,  
Roydsdale Way,  
Euroway Trading Estate  
Bradford, BD4 6SE,  
Telephone: 01274 475 178  
Fax: 01274 654 771  
E-mail: [aftersales@jacuzziuk.com](mailto:aftersales@jacuzziuk.com)

[www.jacuzzi.co.uk](http://www.jacuzzi.co.uk)